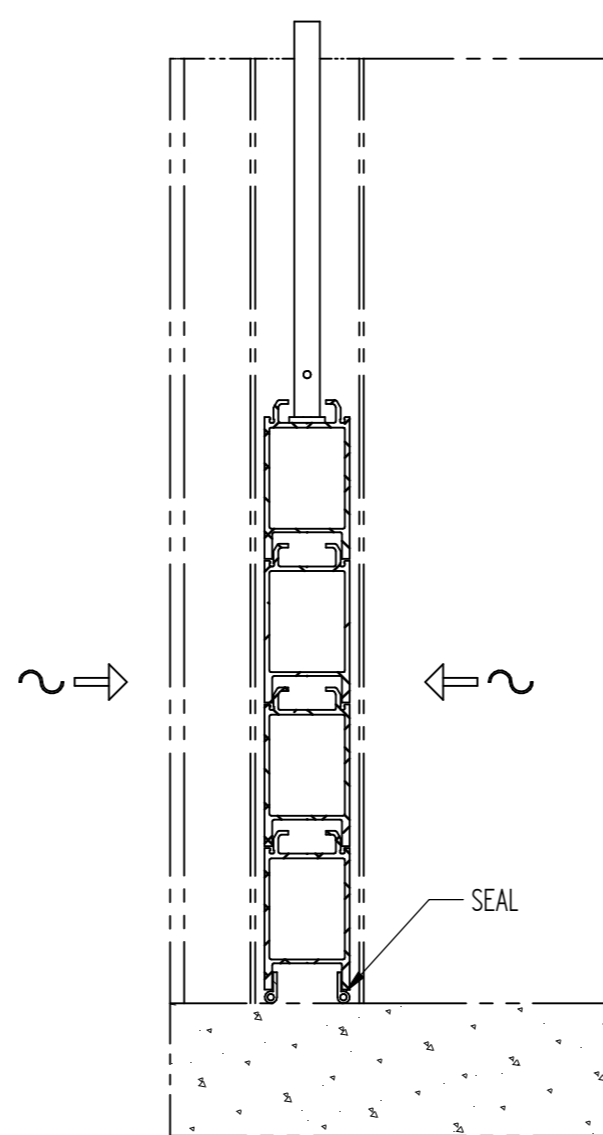
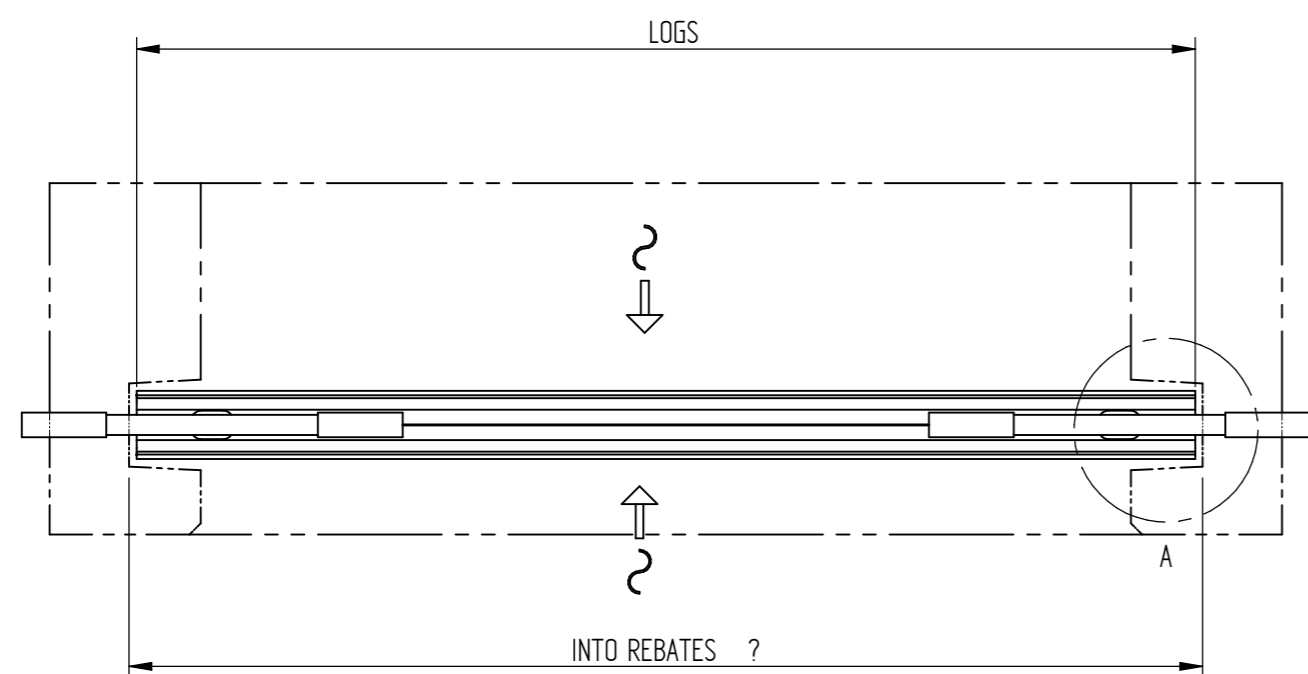
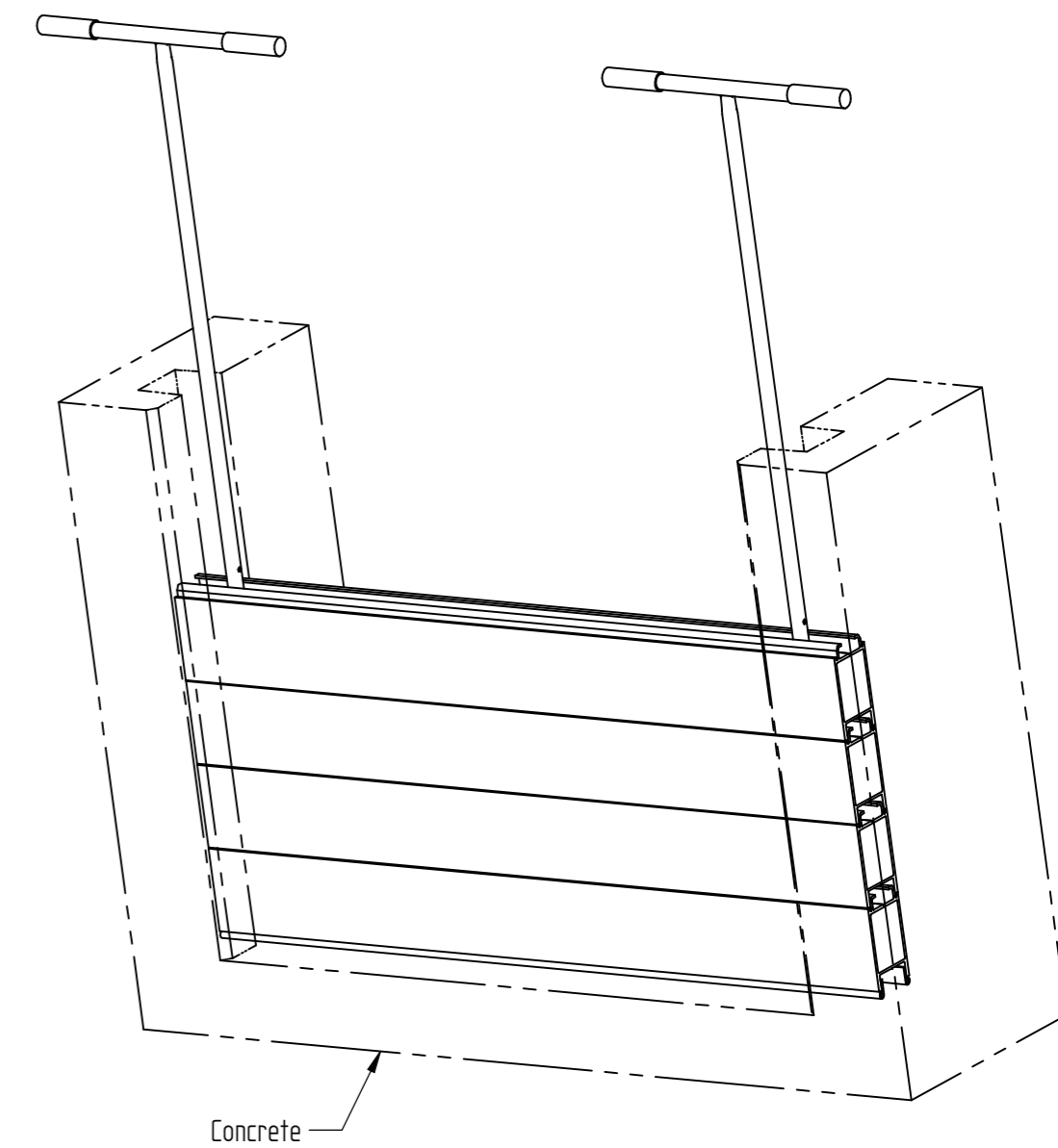
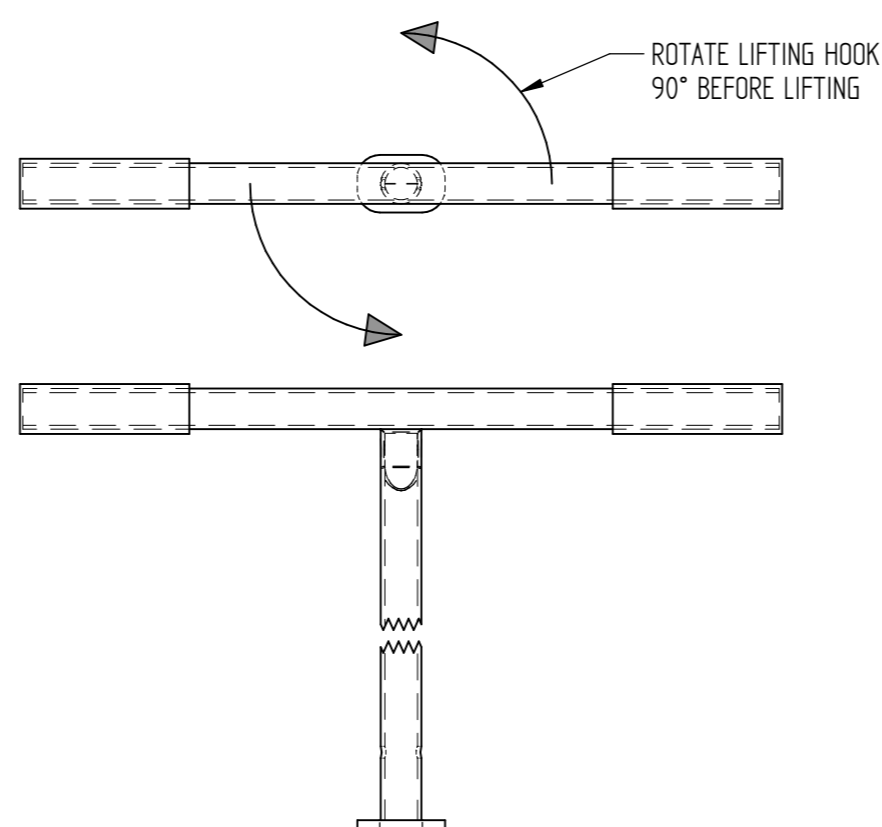
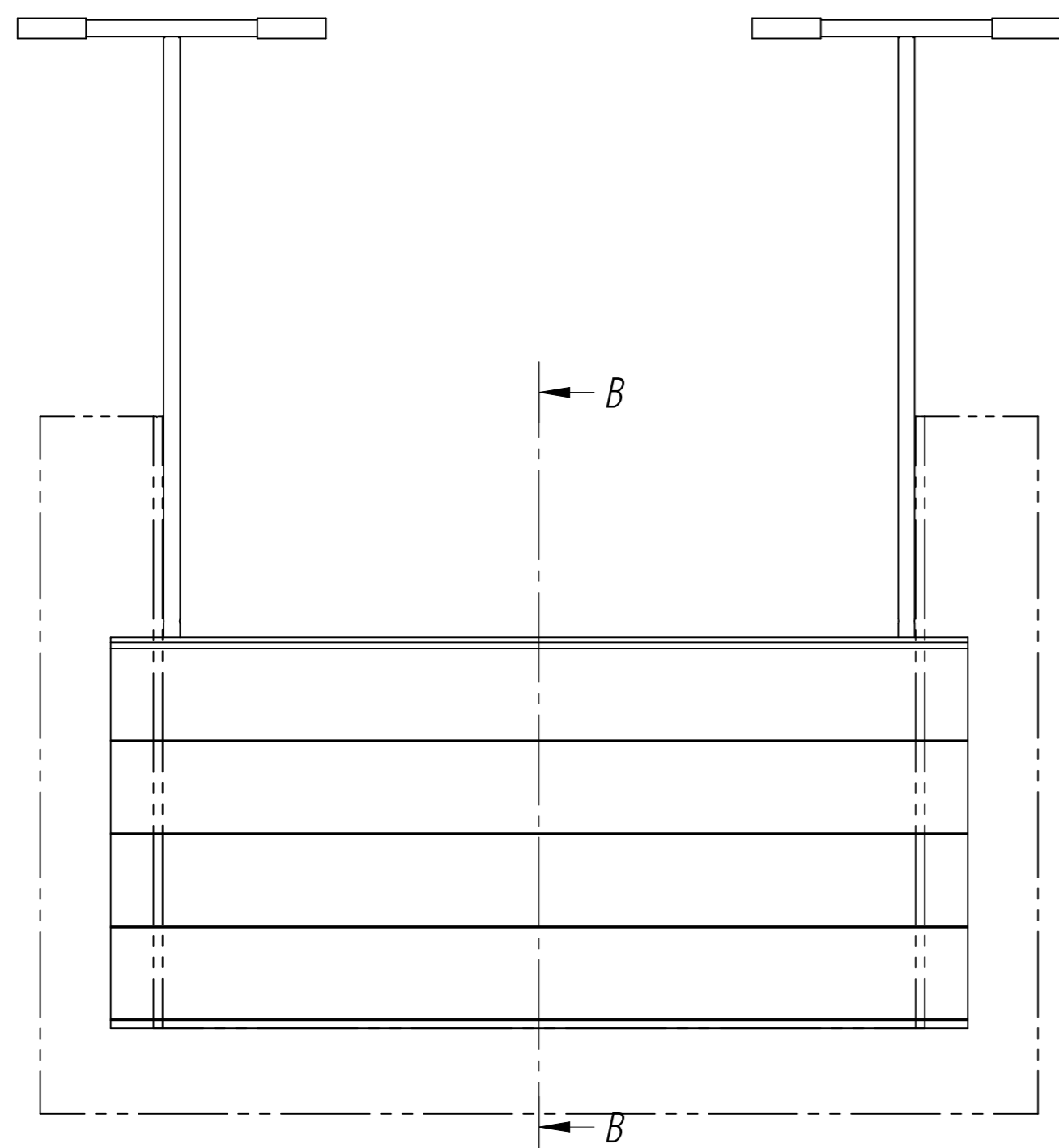


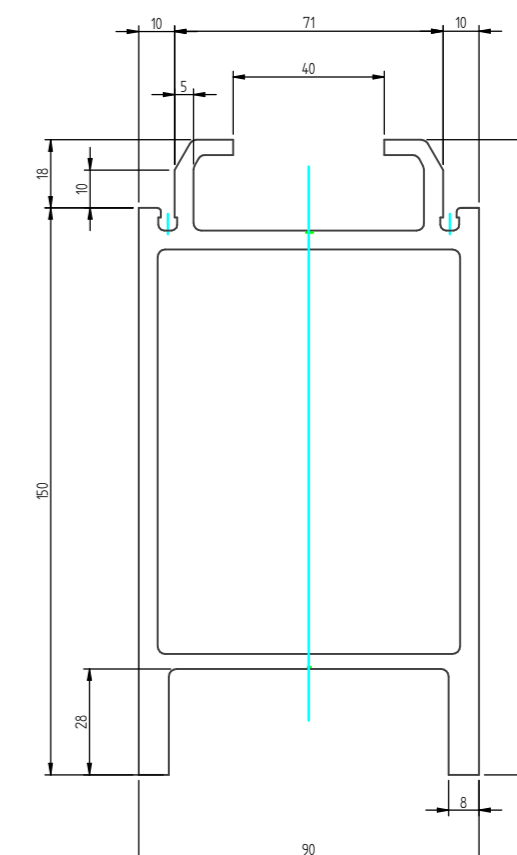
DETAIL A



SECTION B-B



Concrete



2 SET HCW STACKABLE LOGS
4x ALUMINIUM LOGS
- LOG HEIGHT 150
- LOG THICKNESS 90

	phil@hcwatercontrol.com www.hcwatercontrol.com Tel: 07837-404774	HCW PROJECT NUMBER	-	
		HC PRODUCT NUMBER	-	
		PRINCIPAL	-	
		PROJECT NAME	-	
UNLESS OTHERWISE SPECIFIED TOLERANCES ACC. TO ISO 2768-1 C		NAME	...	
REV.	BY	DATE	DESCRIPTION	
0	.	.	ORIGINAL ISSUE	
A	.	.	.	
B	.	.	.	
C	.	.	.	
			DRAWING NUMBER	PRINCIPLE STOP LOGS MIDDLE
			LOCATION	...
			SCALE AS SHOWN	SIGN/STAMP
				...
				...
<small>© The design and technical information appearing on this drawing is the property of HC Watercontrol and is disclosed in confidence. It is not to be copied, reproduced, published, revealed to or appropriated by others, either in whole or in part without prior access written consent from HC Watercontrol.</small>			UNITS IN MM	DO NOT SCALE
			SHEET 1 OF 1	A2